

■DESCRIPTION

The IP-A1PG is a PoE-powered Gateway Unit that integrates multiple IP Audio devices by converting the SIP voice or ONVIF Backchannel audio into multicast audio streaming. It can also transmit built-in sound source or input audio as multicast audio streaming. Moreover, the event broadcasting triggered by control input or remote API (HTTP) as well as the command set that sends multiple HTTP commands simultaneously are also available.

■SPECIFICATIONS

|                                |  |
|--------------------------------|--|
| Power Source                   | PoE(IEEE802.3af Class 3)   |
| Power Consumption              | 2.5 W  |
| Audio Transmission Method      | Multicast Audio Streaming  |
| Audio Codec                    | PCMU(G.711u), PCMA(G.711a), G.722  |
| Audio Delay Time               | Min. 100 ms (*1)   |
| Network I/F                    | 100BASE-TX, Auto MDI/MDI-X, RJ45 connector   |
| Network Protocol               | TCP/IP, UDP, HTTP, RTP, RTSP, RTCP, ARP, ICMP, IGMPv3, NTP, SIP(RFC3261)   |
| Audio Input                    | 1 channel, electronically-balanced, 10 kΩ<br>LINE/MIC selectable (Rated input: LINE: 0 dB (*2), MIC: -60 dB (*2))<br>PAD function (-20 dB (*2)), Phantom power ON/OFF (12 V DC), volume adjustable<br>removable terminal block (6 pins)  |
| Monitor Output                 | 1 channel, electronically-balanced, 600 Ω or less<br>Rated output: 0 dB (*2), RCA pin jack   |
| Control Input                  | 4 channels, no-voltage make contact inputs, open voltage: 5 V DC,<br>short-circuit current: 2 mA or less, removable terminal block (6 pins)  |
| Mute Control Input             | 1 channel, 24 V DC cut signal, control current: 5 mA or less,<br>removable terminal block (2 pins)   |
| Control Output                 | 1 channel, open collector output, withstand voltage: 30 V DC,<br>control current: 10 mA or less, removable terminal block (6 pins)   |
| Indicator                      | STATUS (green/blue/orange/red), LINE/MIC IN (green/red), OUTPUT (green),<br>LINK/ACT (green)   |
| Functions                      |  |
| Broadcasting                   | Audio transmission<br>Transmit internal messages by multicast audio streaming<br>Transmit audio from audio input connected devices by multicast audio streaming<br>Audio conversion<br>Convert SIP voice to multicast audio stream and transmit<br>Convert ONVIF Audio Backchannel audio to multicast audio stream and transmit  |
| Event                          | Execute event triggered by control input<br>Configurable actions: Internal message broadcast, audio input broadcast,<br>command set transmission, broadcast disable, system mute   |
| Internal Message               | Max. 20 messages (Max. recording capacity: 80 MB)<br>Supported file format:<br>WAV file: 8/16/44.1/48 kHz sampling frequency, 8/16 bit, monaural/stereo<br>MP3 file: 32/44.1/48 kHz sampling frequency, 64 - 320 kbps, CBR/VBR, monaural/stereo<br>Repeat playback: Playcount (1 - 10 times) or Duration (5 - 3600 sec)<br>Interval time: 0 - 60 sec, Delay time: 0 - 30 sec |
| Command Set                    | 20 commands can be registered in each of 10 command sets   |
| Clock Accuracy                 | ±13 seconds per month  |
| Time Adjustment                | Manual time setting, Time adjustment by NTP server   |
| Power Outage Protection Period | 24 hours (RTC time retention, at 40 °C (104 °F))   |
| Operating Temperature          | 0 °C to +40 °C (32 °F to 104 °F)   |
| Operating Humidity             | 90 %RH or less (no condensation)   |
| Finish                         | Front case: Surface-treated steel plate, black, paint<br>Rear chassis: Surface-treated steel plate   |
| Dimensions                     | 126 (W) × 33 (H) × 80 (D) mm (4.96" × 1.3" × 3.15") (excluding projection)   |
| Weight                         | 390 g (0.86 lb)  |
| Accessory                      | Removable terminal plug (6 pins, preinstalled on the unit) ---2,<br>Removable terminal plug (2 pins, preinstalled on the unit) ---1, Rubber feet ---4,<br>Mounting screw (M3 × 6) ---4   |

(\*1) When using Monitor output, assume an audio delay time.

(\*2) 0 dB = 1 V

※ ONVIF is a registered trademark of ONVIF Inc.

※ These specifications only apply to the firmware version 2.1.0. For the latest specifications and firmware, please refer to the TOA DATA Library (<https://www.toa-products.com/international/>).

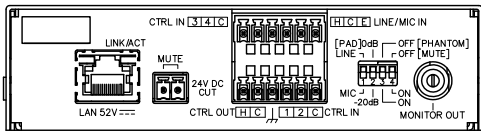
■ SPECIFICATIONS

Personal Computer Requirements

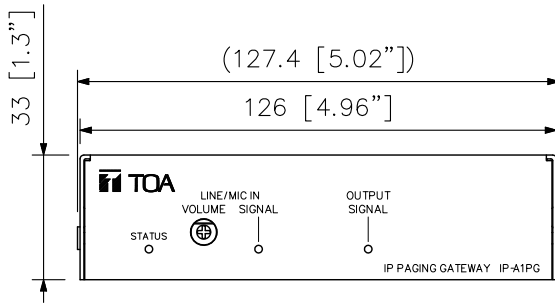
|                      |  |
|----------------------|--|
| Display              | Recommended resolution: 1920 X 1080  |
| OS                   | Windows 10 Pro (64-bit edition)<br>Windows 10 Home (64-bit edition)<br>Windows 11 Pro<br>Windows 11 Home |
| Required Web Browser | Google Chrome<br>Microsoft Edge  |

- ※ Windows and Microsoft Edge are registered trademarks of Microsoft Corporation in the United States and other countries.
- ※ Google Chrome is the trademark of Google LLC in the United States and other countries.
- ※ Other company names and products are also trademarks of individual companies.

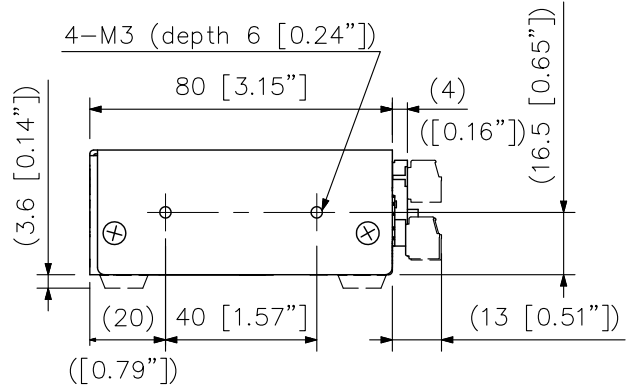
■ APPEARANCE



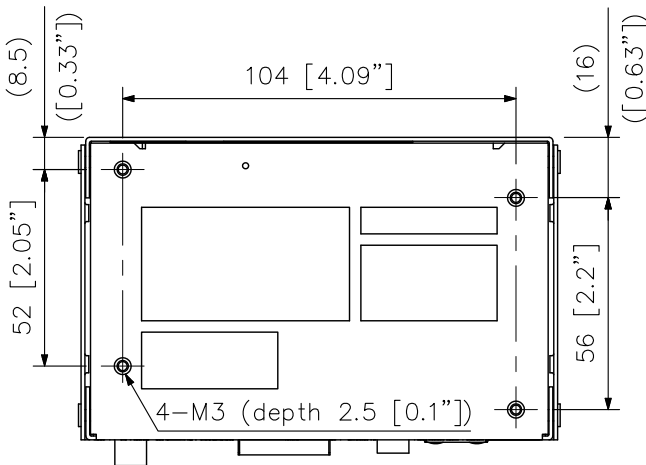
Rear View



Front View



Side View  
(with accessories)



Top View

UNIT:mm SCALE:1/2

Note: Numerical values in parentheses are for reference only.